



VENTILBLOCK VORSTEUERUNG
VALVE BLOCK FOR PILOT CONTROL SYSTEM

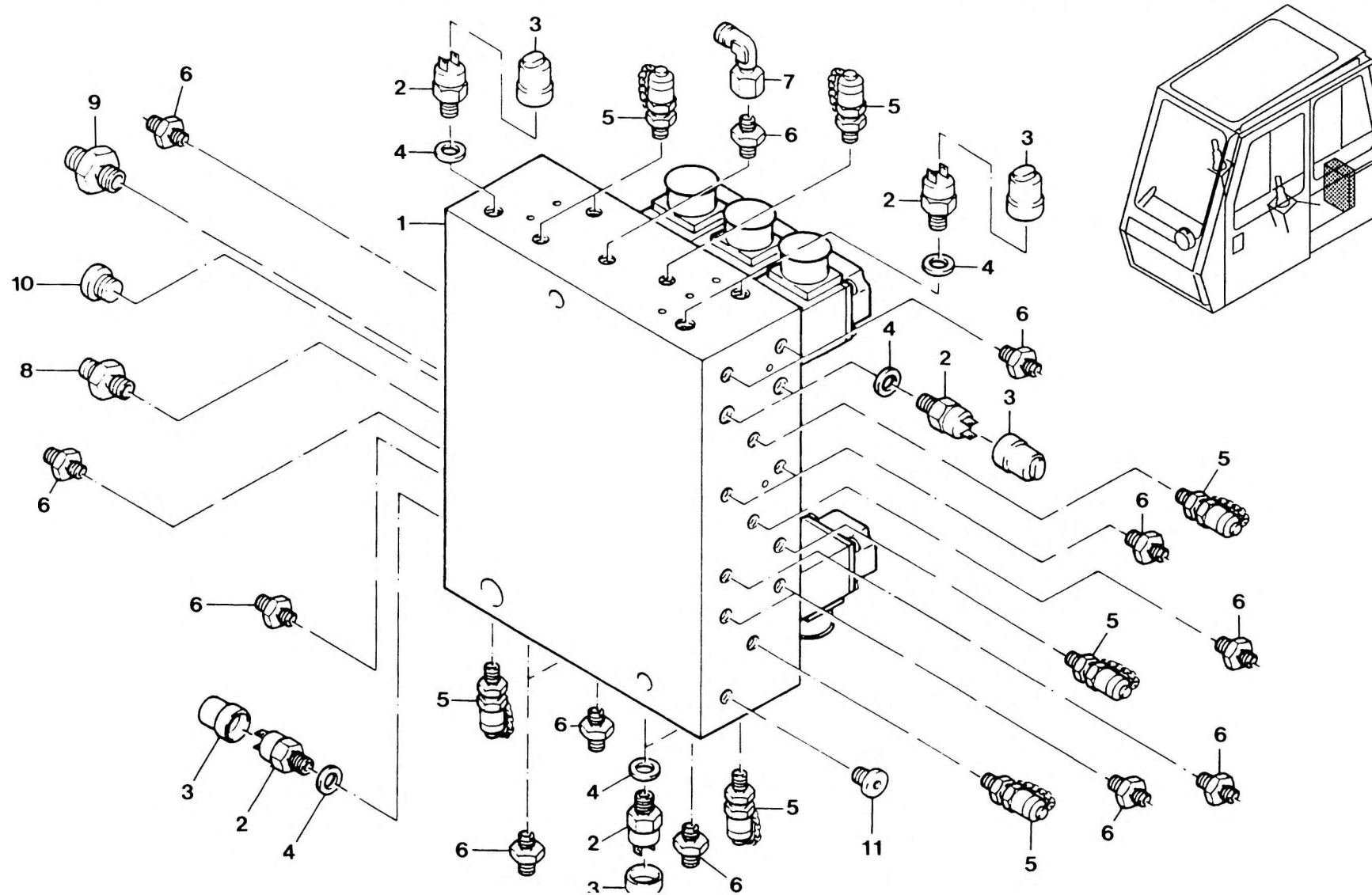
BILDТАFЕL
PICTORIAL DISPLAY

04.93

2225180-ETL

1/2

KMK 5110
BE 630
G 786





VENTILBLOCK VORSTEUERUNG
VALVE BLOCK FOR PILOT CONTROL SYSTEM

BILDТАFEL
PICTORIAL DISPLAY

KMK 5110
BE 630
G 786

04.93

2225180-ETL

2/2

